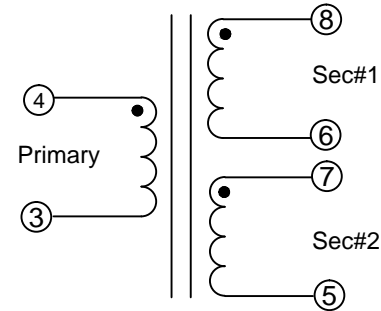
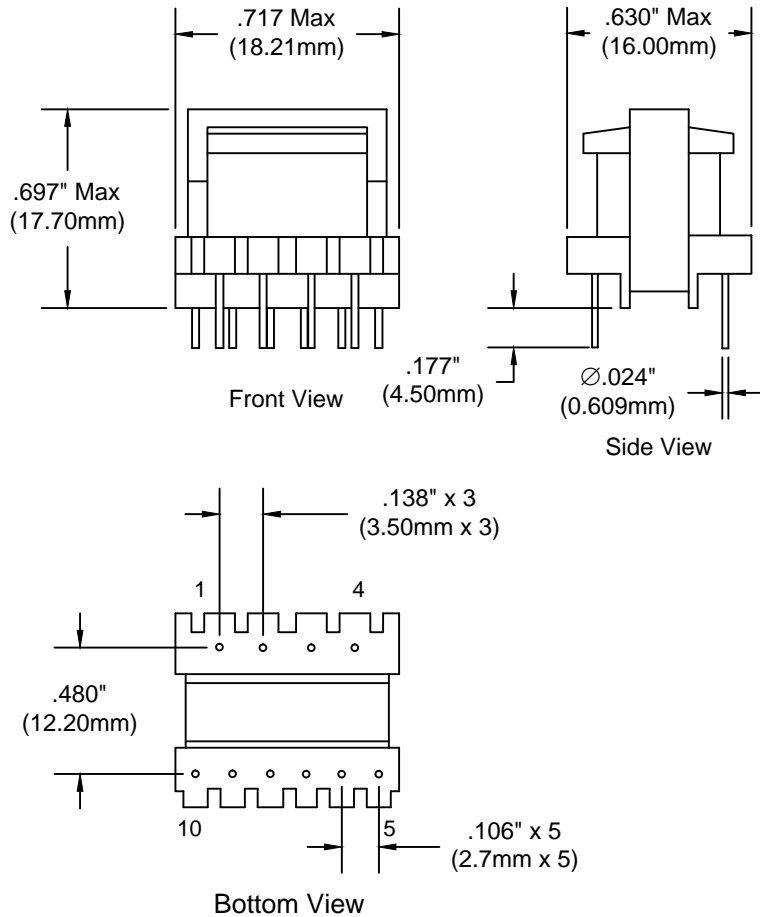


REVISIONS			
DATE	REV	DESCRIPTION	APPVD
11/19/2015	-1	Corrected length and pin diameter, were 18.2mm & .6mm	Tjk

- SWITCHMODE THRU-HOLE TRANSFORMER DESIGNED FOR USE WITH POWER INTEGRATIONS TNY253 TINYSWITCH APPLICATION.
- PER EN60950, >5.0mm.
- 2.0W MAXIMUM.

Electrical Specifications:

Turns Ratio Pri : Sec#1 : Sec#2 = 1 : 0.098 : 0.098  
 DC Resistance Pri: 4.65 - 7.75Ω  
 DC Resistance Each Sec: 0.184 - 0.276Ω  
 Lpri (3 - 4) : 5.40 mH +/- 10% @ 10 KHz  
 Leakage Inductance (3 - 4) : 180 μH Max @ 100 KHz Secondary windings shorted  
 Dielectric Strength : 4000 Vrms Pri-Sec  
 Bobbin Material : UL 94-V0  
 Pri-Sec Creepage Distance Per EN60950 >5.0mm;  
 Reinforced Insulation; 250Vrms working voltage



		CUSTOM ENGINEERED MAGNETIC COMPONENTS Johnsburg, Illinois 3521 N.CHAPEL HILL RD. / McHENRY, ILLINOIS 60051	
		SCALE : 1 : 2.25	APPROVED BY : <i>Gary Garcia</i>
DATE : 10/02/02			REVISED :
<b>Ac to Dc Converter Transformer p/n SPP-3002</b>			
Designed for Tny253 Chip up to 2.0W; Ac: 85 - 265Vac, 2 DC outputs from 6Vdc up to 12Vdc or 1 DC output from 12Vdc up to 24Vdc			DRAWING NUMBER <b>A-3002-1</b>